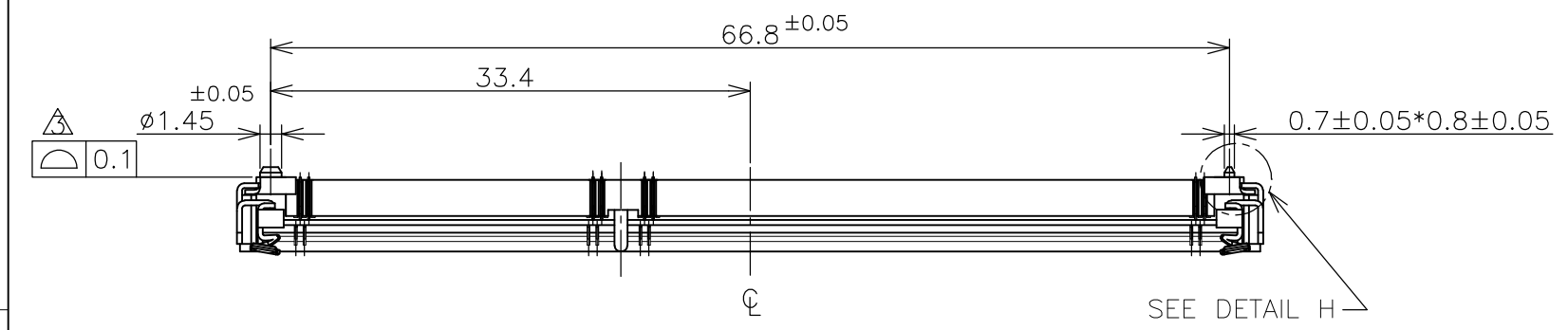


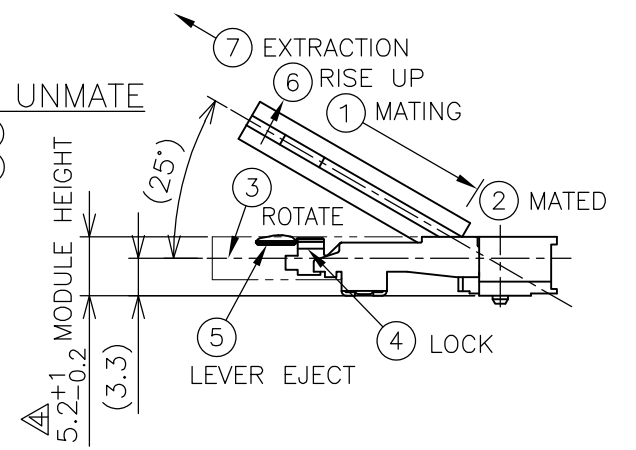
THIS DRAWING IS UNPUBLISHED. RELEASED FOR PUBLICATION SEP ,2007.
 © COPYRIGHT 2007 By - ALL RIGHTS RESERVED.

LOC	DIST	REVISIONS			
P	LTR	DESCRIPTION	DATE	DWN	APVD
J	/				
	C	REVISED PER ECR-12-004002	01MAR2012	W.W	C.W

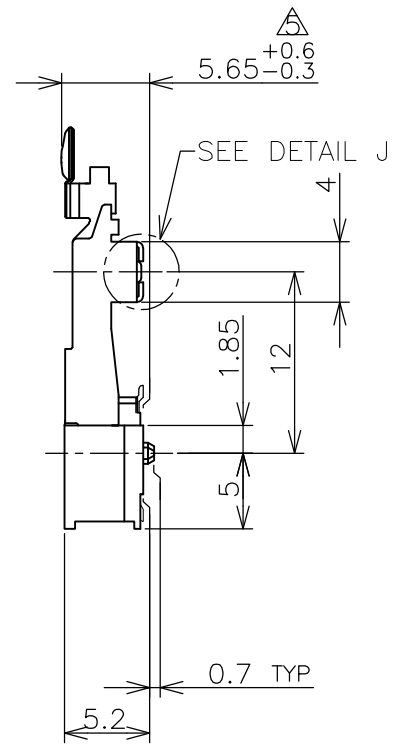
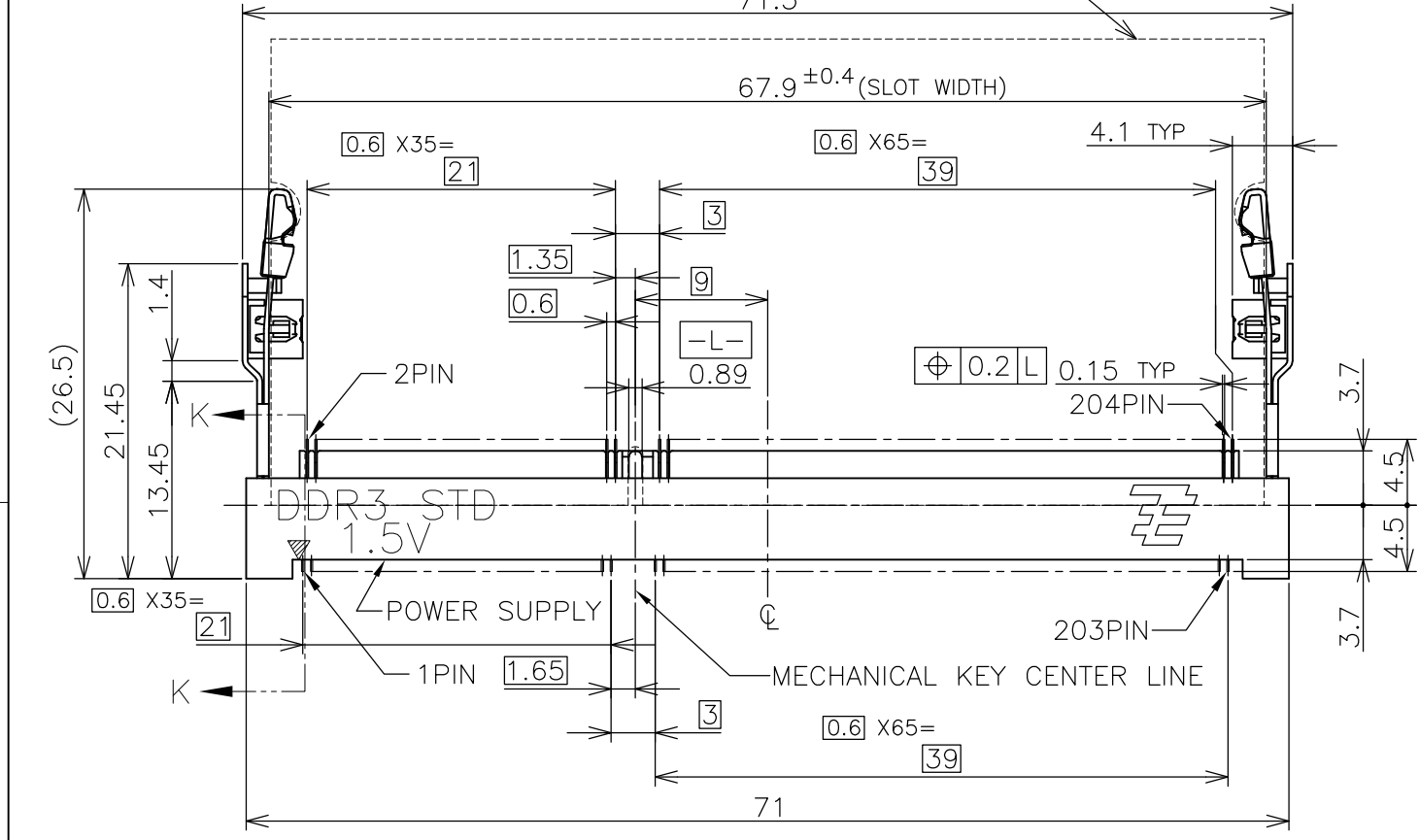


HOW TO MATE AND UNMATE

- MATE: ① → ④
 UNMATE: ⑤ → ⑦

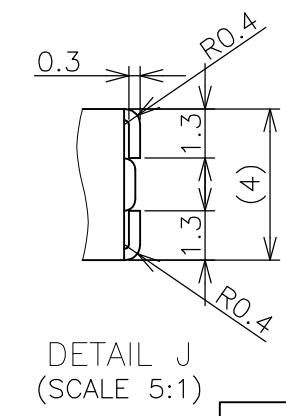
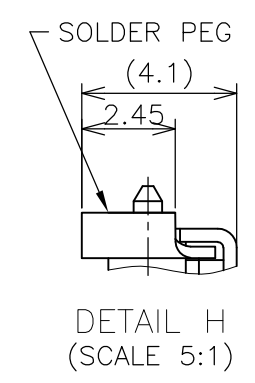
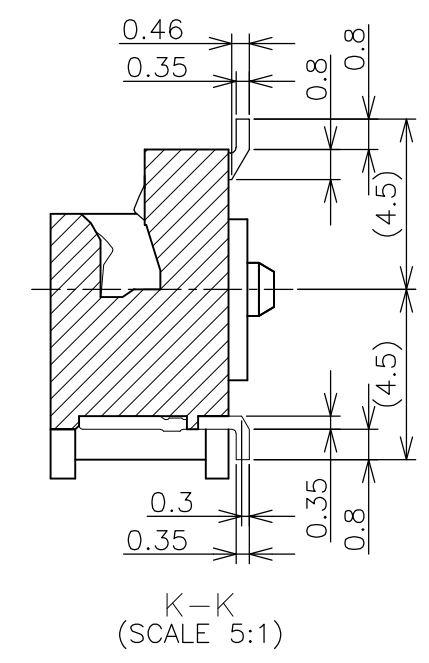


RECOMMENDED MATING P.C.B OUTLINE
 71.5 ±0.5



(APPLIED TO SHEET 1-3)

- MATERIAL ; HOUSING: HIGH TEMPERATURE THERMO PLASTIC UL94V-0
 COLOR: BLACK
 CONTACT: COPPER ARROY
 LOCK LEVER: STAINLESS STEEL
 PEG: COPPER ARROY
 - 2-1. FINISH ; CONTACT AREA: GOLD FLASH ALL OVER NICKEL.
 SOLDERING AREA: GOLD FLASH PLATING
 PEG: TIN PLATING
 - 2-2. FINISH ; CONTACT AREA: 0.000254MIN GOLD ALL OVER NICKEL.
 SOLDERING AREA: GOLD FLASH PLATING
 PEG: TIN PLATING
 - 2-3. FINISH ; CONTACT AREA: 0.00076MIN GOLD ALL OVER NICKEL.
 SOLDERING AREA: GOLD FLASH PLATING
 PEG: TIN PLATING
- △ COPLANARITY: 0.1 MAX. (BEFORE SOLDERING)
 △ THE FLOATING VALUE BY SOLDERING IS NOT INCLUDED.
 △ NOT MATING CONDITION.
6. IF THE MODULE DOESN'T INSERT AND LOCK IN THE LATCH SMOOTHLY, OPEN WIDE BOTH LATCHES BY MANUAL. AND THE MODULE MUST BE INSERTED AND LOCKED IN THE LATCH.



GENERAL TOLERANCE
 10 ≥ ±0.2
 30 ≥ >10: ±0.25
 100 ≥ >30: ±0.3
 ANGLES: ±3°

THIS DRAWING IS A CONTROLLED DOCUMENT.		DWN T.FUMIKURA 18SEP2007	TE Connectivity		
DIMENSIONS: MM		CHK K.IKEGAMI 18SEP2007			
TOLERANCES UNLESS OTHERWISE SPECIFIED:		APVD K.IKEGAMI 18SEP2007	NAME		
0 PLC ±		108-78493			
1 PLC ±		APPLICATION SPEC			
2 PLC ±		SIZE CAGE CODE DRAWING NO RESTRICTED TO			
3 PLC ±		A300779 C-2013289			
4 PLC ±		WEIGHT 4.4g			
ANGLES ±		CUSTOMER DRAWING SCALE 2:1 SHEET 1 OF 6 REV C			
FINISH ±					

4

3

2

1

THIS DRAWING IS UNPUBLISHED.


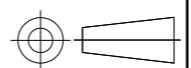
RELEASED FOR PUBLICATION SEP , 2007.

© COPYRIGHT 2007 By -

ALL RIGHTS RESERVED.

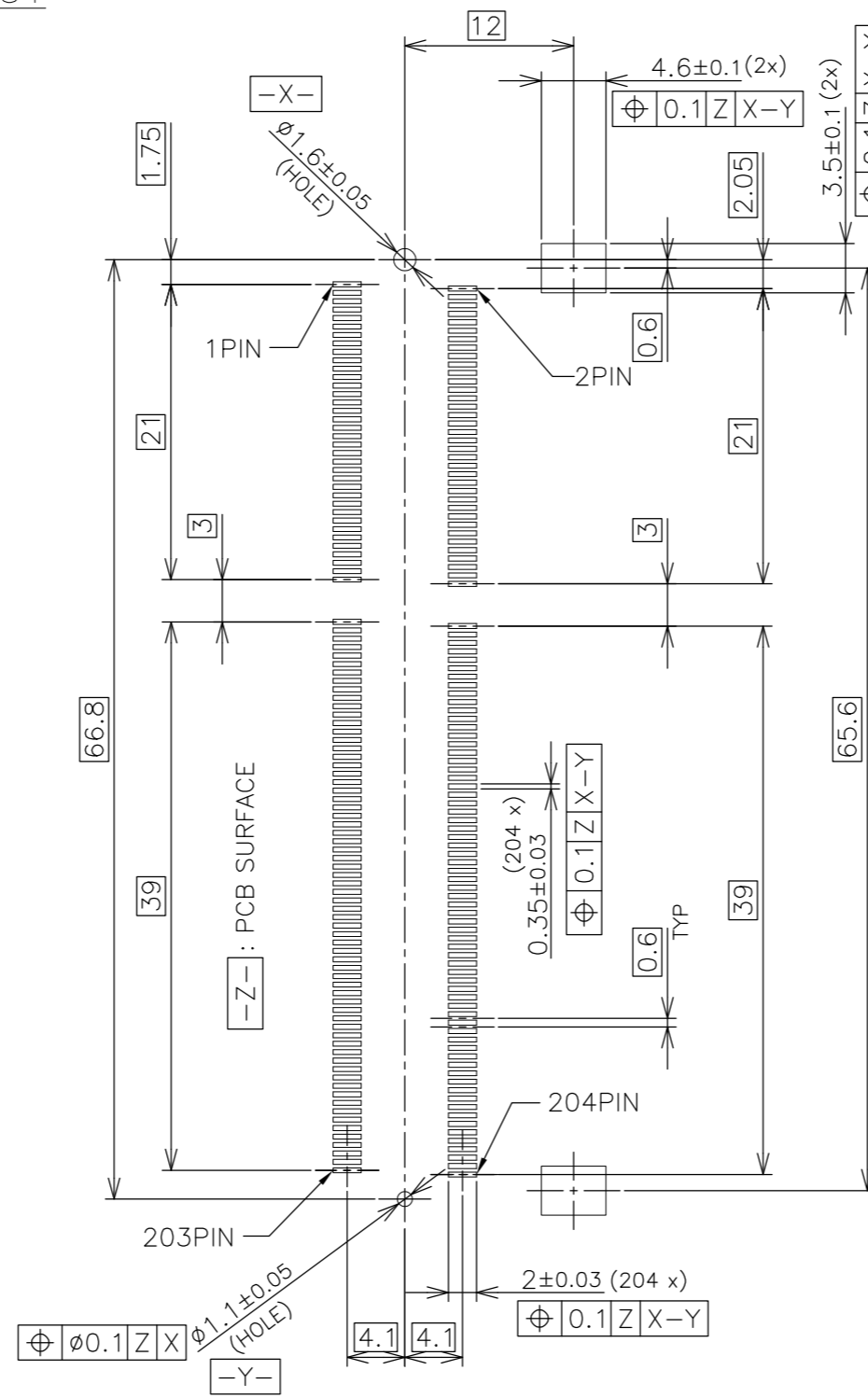
LOC	DIST	REVISIONS					
J	/	P	LTR	DESCRIPTION	DATE	DWN	APVD
		-		SEE SHEET 1	-	-	-

AVAILABLE	ENBOSS (SEE SHEET 6)	WITH BOSS	BLACK	NOTE 2-3	1.5V	204	2-2013289-3
AVAILABLE	ENBOSS (SEE SHEET 6)	WITH BOSS	BLACK	NOTE 2-2	1.5V	204	2-2013289-2
AVAILABLE	ENBOSS (SEE SHEET 6)	WITH BOSS	BLACK	NOTE 2-1	1.5V	204	2-2013289-1
AVAILABLE	SEMI-HARD TRAY (SEE SHEET 5)	WITH BOSS	BLACK	NOTE 2-3	1.5V	204	2013289-3
AVAILABLE	SEMI-HARD TRAY (SEE SHEET 5)	WITH BOSS	BLACK	NOTE 2-2	1.5V	204	2013289-2
AVAILABLE	SEMI-HARD TRAY (SEE SHEET 5)	WITH BOSS	BLACK	NOTE 2-1	1.5V	204	2013289-1
TOOLING STATUS	PACKAGING TYPE	BOSS TYPE	HOUSING COLOR	FINISH	POWER SUPPLY	POS	PART NO.

THIS DRAWING IS A CONTROLLED DOCUMENT.		DWN	 TE Connectivity			
DIMENSIONS: MM		CHK				
		APVD				
TOLERANCES UNLESS OTHERWISE SPECIFIED: 0 PLC ± 1 PLC ± 2 PLC ± 3 PLC ± 4 PLC ± ANGLES ±		NAME				
MATERIAL		PRODUCT SPEC	DDR3 SODIMM SOCKET 0.6mm PITCH 204POS 5.2mm HEIGHT STANDARD TYPE			
		APPLICATION SPEC	SIZE	CAGE CODE	DRAWING NO	RESTRICTED TO
		WEIGHT	A3	00779	C-2013289	-
CUSTOMER DRAWING			SCALE	SHEET	REV	
			2:1	2 OF 6	C	

P	LTR	DESCRIPTION	DATE	DWN	APVD
-	-	SEE SHEET 1	-	-	-

REFERENCE P.C.BOARD PATTERN LAYOUT
(CONNECTOR MOUNTING SIDE)



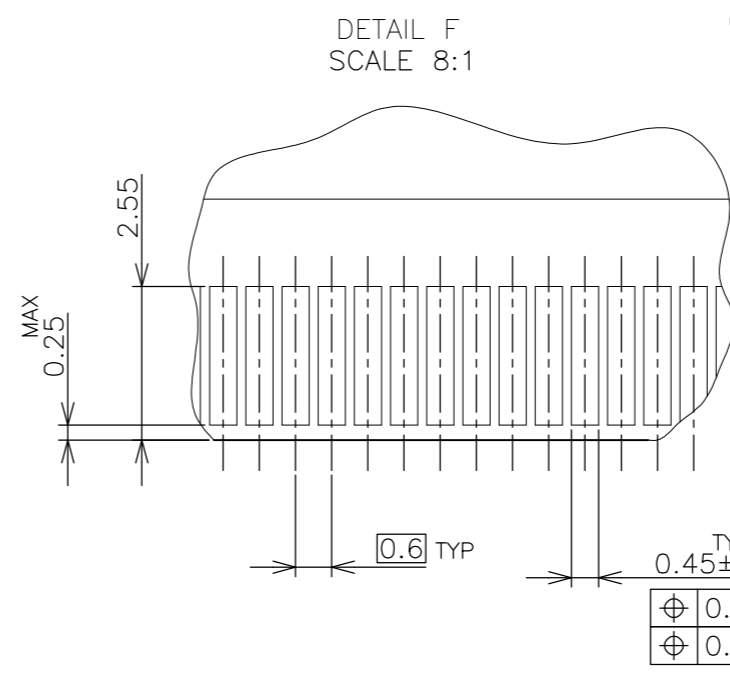
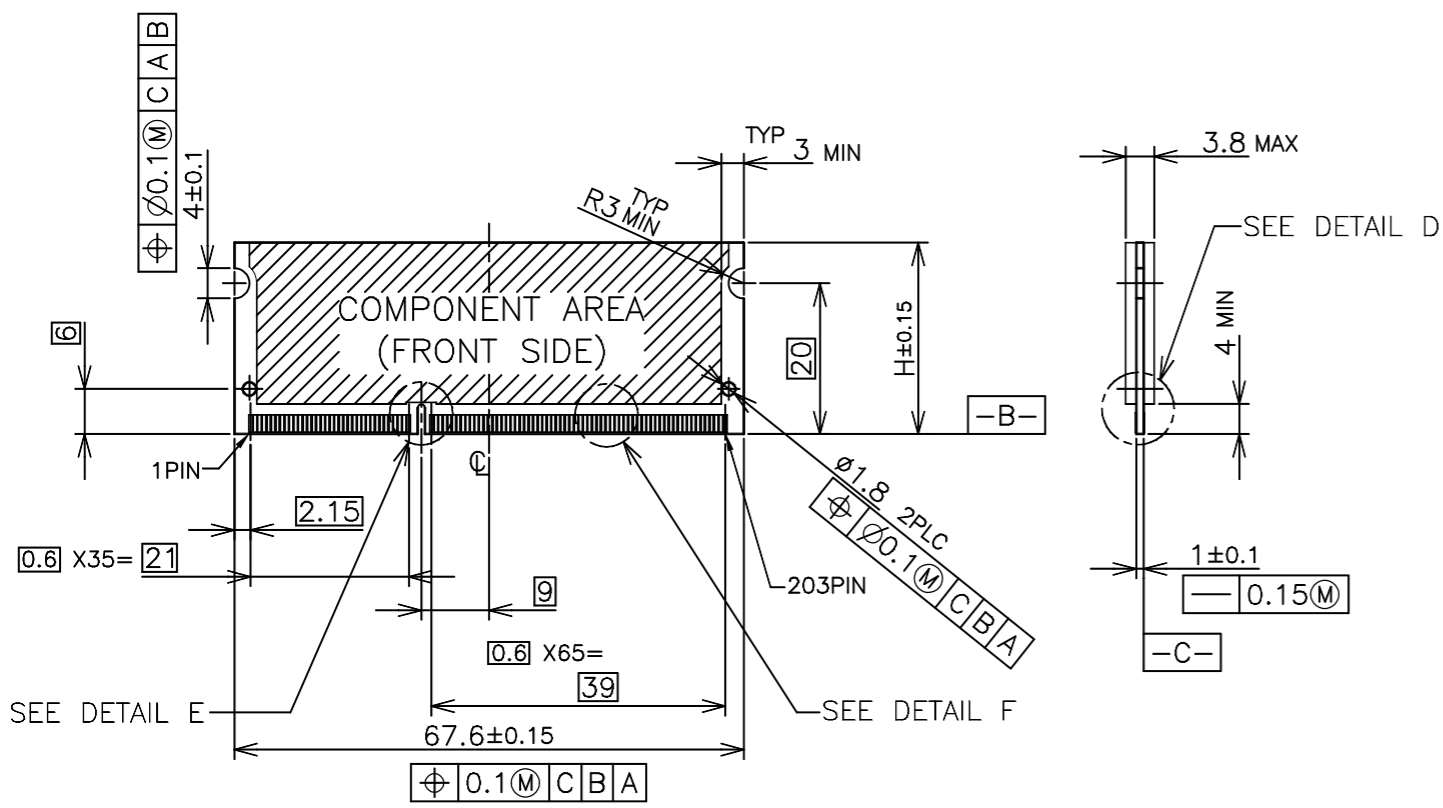
STD TYPE

THIS DRAWING IS A CONTROLLED DOCUMENT.		DWN		TE Connectivity NAME DDR3 SODIMM SOCKET 0.6mm PITCH 204POS 5.2mm HEIGHT STANDARD TYPE	
DIMENSIONS: MM		CHK			
		APVD			
		PRODUCT SPEC			
MATERIAL		APPLICATION SPEC		SIZE	RESTRICTED TO
FINISH		WEIGHT		A3	-
TOLERANCES UNLESS OTHERWISE SPECIFIED:		DRAWING NO		CAGE CODE	REV
0 PLC	±	C-2013289		2013289	C
1 PLC	±	CUSTOMER DRAWING		SCALE	SHEET
2 PLC	±	SCALE 2:1		2:1	3 OF 6
3 PLC	±	SHEET 3 OF 6		3 OF 6	REV C
4 PLC	±	REV C		REV C	
ANGLES	±				

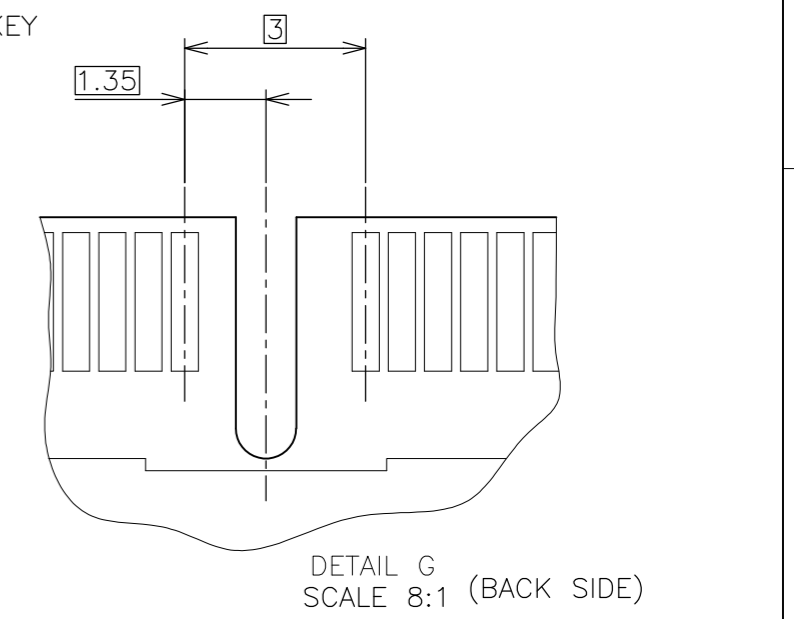
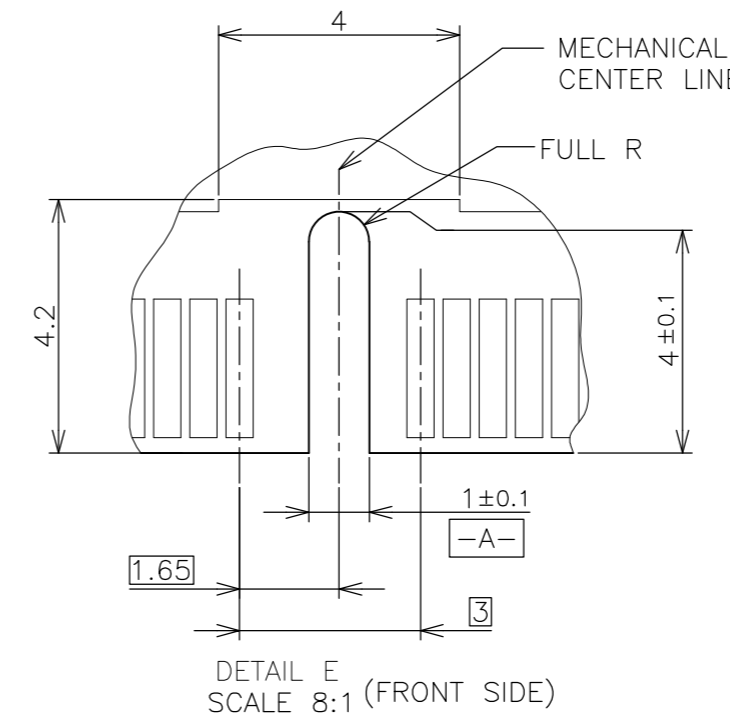
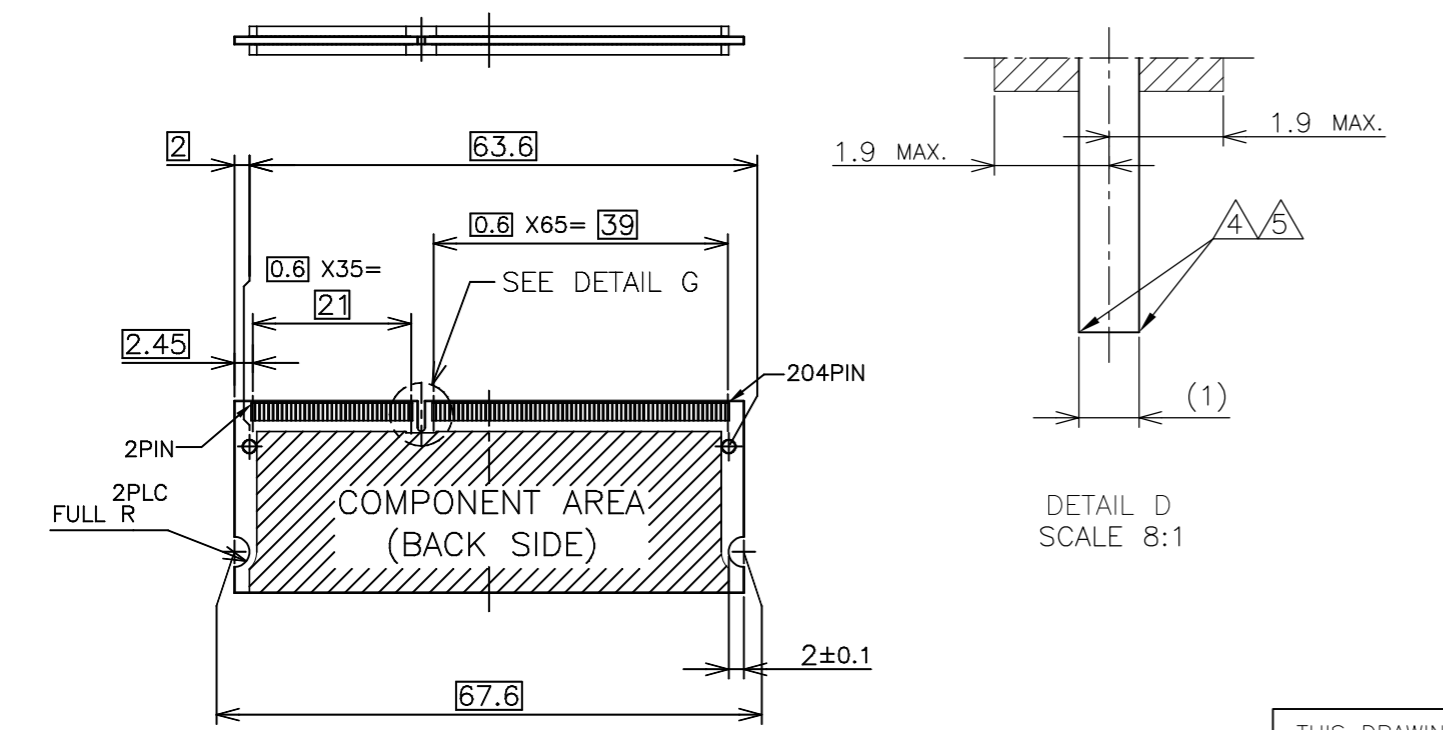
LOC	DIST
J	/

REVISIONS				
P	LTR	DESCRIPTION	DATE	APVD
-	-	SEE SHEET 1	-	-

REFERENCE MATING P.C.B CONFIGURATION



- (APPLIED TO SHEET 4)
1. TOLERANCES ON ALL DIMENSIONS ±0.15 UNLESS OTHERWISE SPECIFIED.
 2. P.C. BOARD THICKNESS APPLIES ACROSS TABS AND INCLUDES PLATING AND/OR METALIZATION.
 3. FINISH OF PAD : GOLD PLATING 0.00076 MIN. OVER Ni PLATING 0.002MIN.
- NO BURR
CHAMFER 0.25 MAX x 45° IF EXIST.

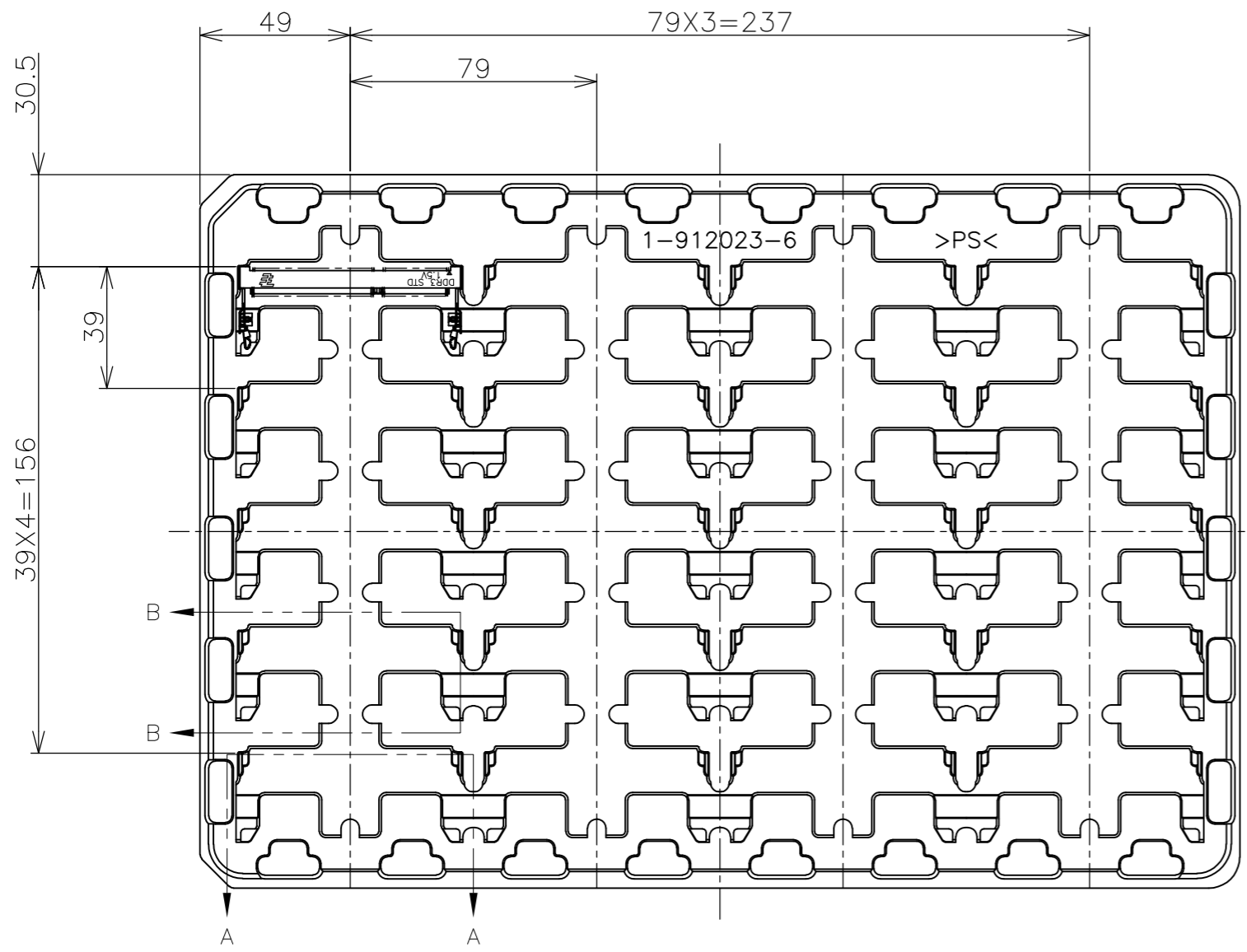


30	CA
31.75	BA
25.4	AA
H	SDRAM VARIATIONS

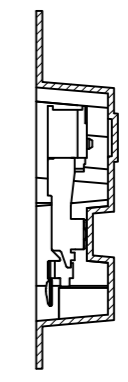
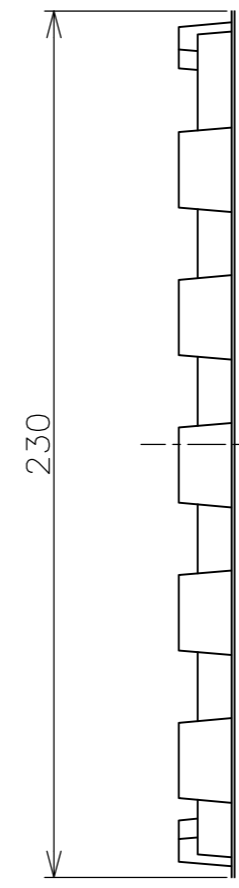
THIS DRAWING IS A CONTROLLED DOCUMENT.		DWN	TE Connectivity NAME DDR3 SODIMM SOCKET 0.6mm PITCH 204POS 5.2mm HEIGHT STANDARD TYPE		
DIMENSIONS: MM		CHK			
TOLERANCES UNLESS OTHERWISE SPECIFIED:		APVD			
0 PLC ± 1 PLC ± 2 PLC ± 3 PLC ± 4 PLC ± ANGLES ± MATERIAL FINISH ±		PRODUCT SPEC			
MATERIAL		APVD	APPLICATION SPEC	SIZE	RESTRICTED TO
		WEIGHT	SIZE	CAGE CODE	DRAWING NO
		CUSTOMER DRAWING	A3	00779	C-2013289
		SCALE	2:1	SHEET	4 OF 6
		REV	C		

THIS DRAWING IS UNPUBLISHED. RELEASED FOR PUBLICATION SEP , 2007.
 © COPYRIGHT 2007 By - ALL RIGHTS RESERVED.

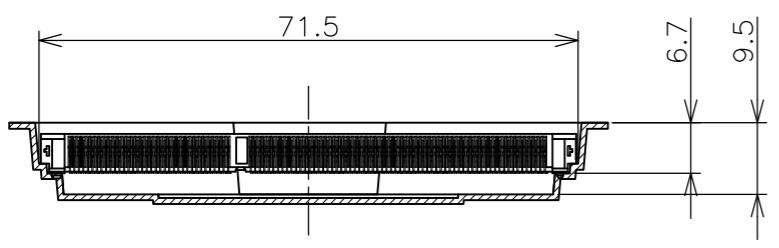
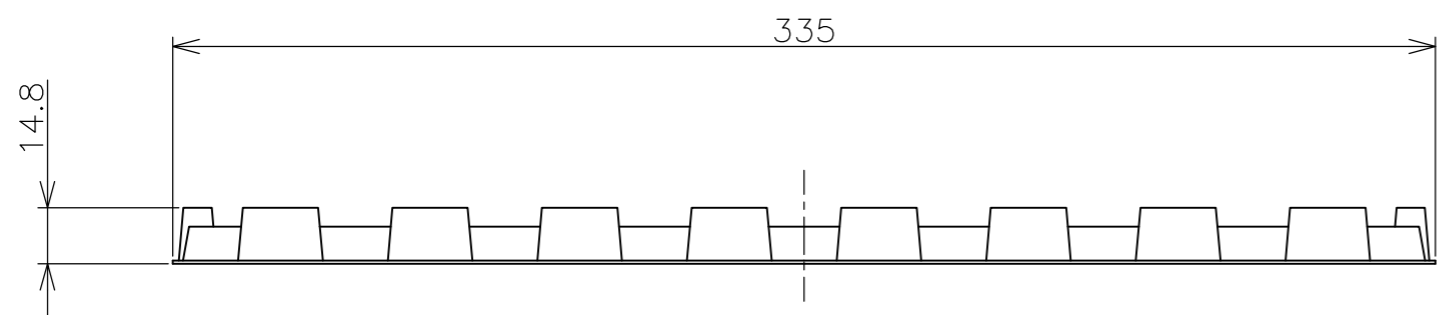
LOC	DIST	REVISIONS					
		P	LTR	DESCRIPTION	DATE	DWN	APVD
J	/	-	-	SEE SHEET 1	-	-	-



- (APPLIED TO SHEET 5)
1. THE DIRECTION OF EACH CONNECTOR ON A TRAY IS REFERRED TO THIS DRAWING.
 2. GENERAL TOLERANCE: ±0.5, ±3'



B-B
SCALE 1:1



A-A
SCALE 1:1
(180DEG. ROTATE)

240EA	20EA	*-2013289-*
QTY/BOX	QTY/TRAY	PART NO.

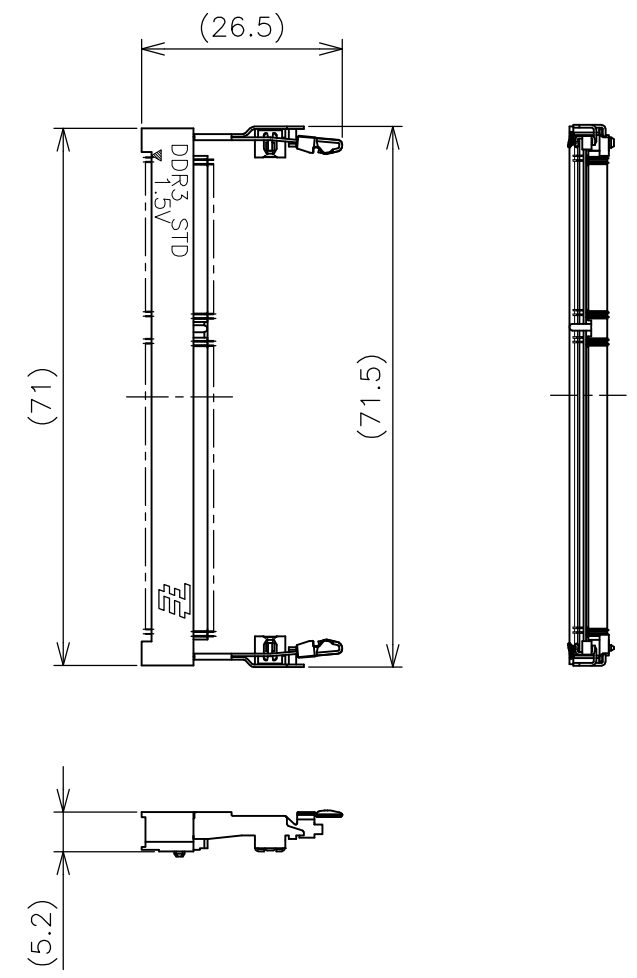
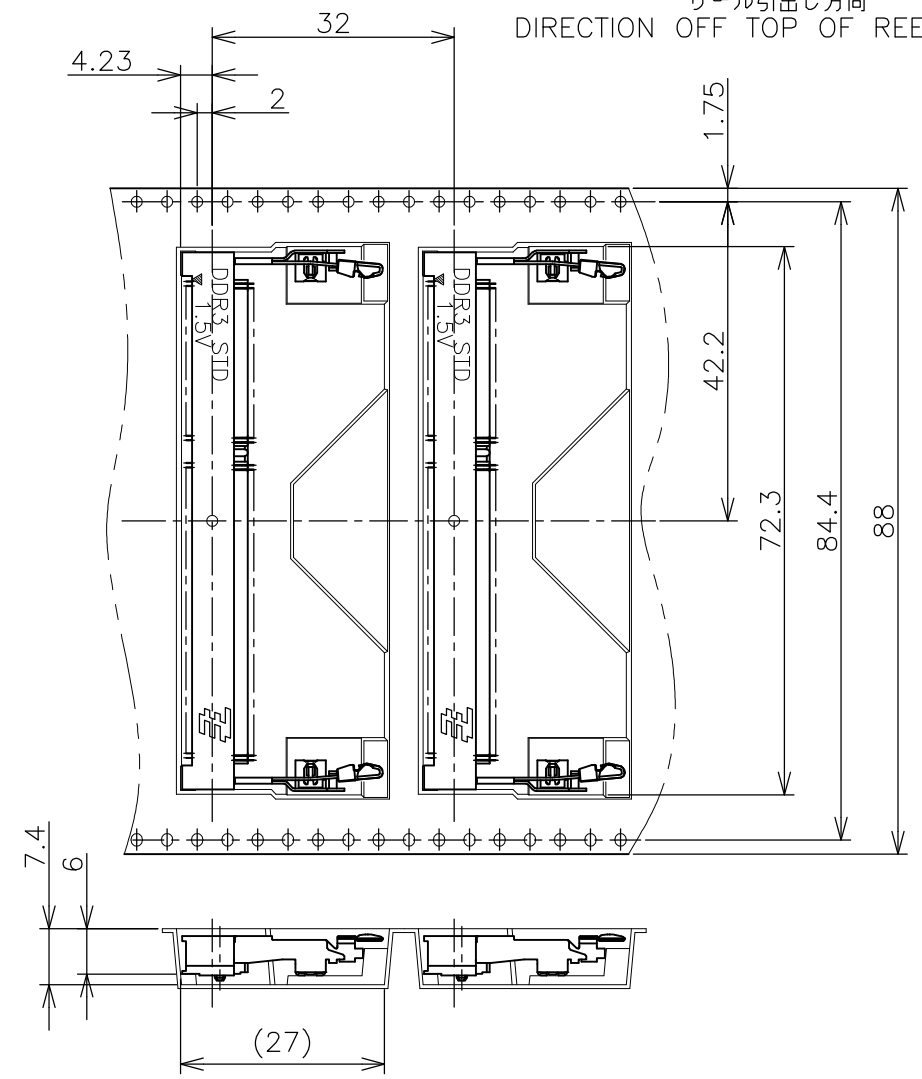
THIS DRAWING IS A CONTROLLED DOCUMENT.		DWN	 TE Connectivity								
DIMENSIONS: MM		CHK									
		APVD									
TOLERANCES UNLESS OTHERWISE SPECIFIED: 0 PLC ± 0.5 1 PLC ± 0.5 2 PLC ± 0.5 3 PLC ± 0.5 4 PLC ± 0.5 ANGLES ± 3'		NAME									
MATERIAL		PRODUCT SPEC	DDR3 SODIMM SOCKET								
		APPLICATION SPEC	0.6mm PITCH 204POS								
		WEIGHT	5.2mm HEIGHT STANDARD TYPE								
		CUSTOMER DRAWING	<table border="1"> <tr> <td>SIZE</td> <td>CAGE CODE</td> <td>DRAWING NO</td> <td>RESTRICTED TO</td> </tr> <tr> <td>A3</td> <td>00779</td> <td>C-2013289</td> <td>-</td> </tr> </table>	SIZE	CAGE CODE	DRAWING NO	RESTRICTED TO	A3	00779	C-2013289	-
SIZE	CAGE CODE	DRAWING NO	RESTRICTED TO								
A3	00779	C-2013289	-								

CUSTOMER DRAWING		SCALE 1:2	SHEET 5 of 6	REV C
------------------	--	-----------	--------------	-------

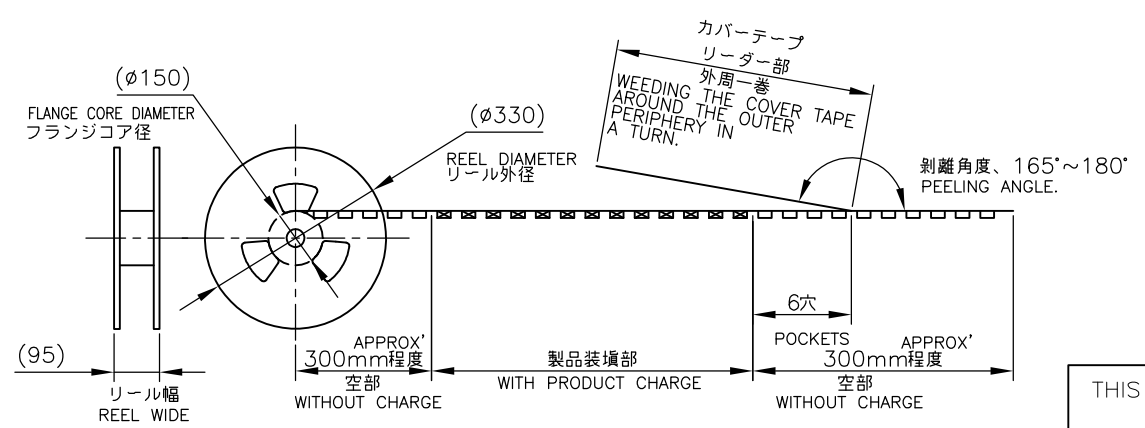
THIS DRAWING IS UNPUBLISHED. RELEASED FOR PUBLICATION SEP ,2007.
 © COPYRIGHT 2007 By - ALL RIGHTS RESERVED.

LOC		DIST		REVISIONS				
P	LTR	DESCRIPTION			DATE	DWN	APVD	
	-	SEE SHEET 1			-	-	-	

リール引出し方向
DIRECTION OFF TOP OF REEL →



- (APPLIED TO SHEET 6)
1. THE DIRECTION OF EACH CONNECTOR ON A EMBOSS IS REFERRED TO THIS DRAWING.
 2. GENERAL TOLERANCE: ± 0.5 , $\pm 3^\circ$



FREE SCALE

THIS DRAWING IS A CONTROLLED DOCUMENT.		DWN		200EA		*-2013289-*	
DIMENSIONS: MM		CHK		QTY/REEL		PART NO.	
TOLERANCES UNLESS OTHERWISE SPECIFIED:		APVD		TE Connectivity			
0 PLC ± 0.5		PRODUCT SPEC					
1 PLC ± 0.5		APPLICATION SPEC		NAME			
2 PLC ± 0.5		WEIGHT		DDR3 SODIMM SOCKET			
3 PLC ± 0.5		MATERIAL		0.6mm PITCH 204POS			
4 PLC ± 0.5		FINISH		SIZE		DRAWING NO	
ANGLES ± 3°		CUSTOMER DRAWING		A3		C-2013289	
FINISH		SCALE		CAGE CODE		RESTRICTED TO	
		1:2		00779		-	
		SHEET		REV		C	
		6 OF 6					